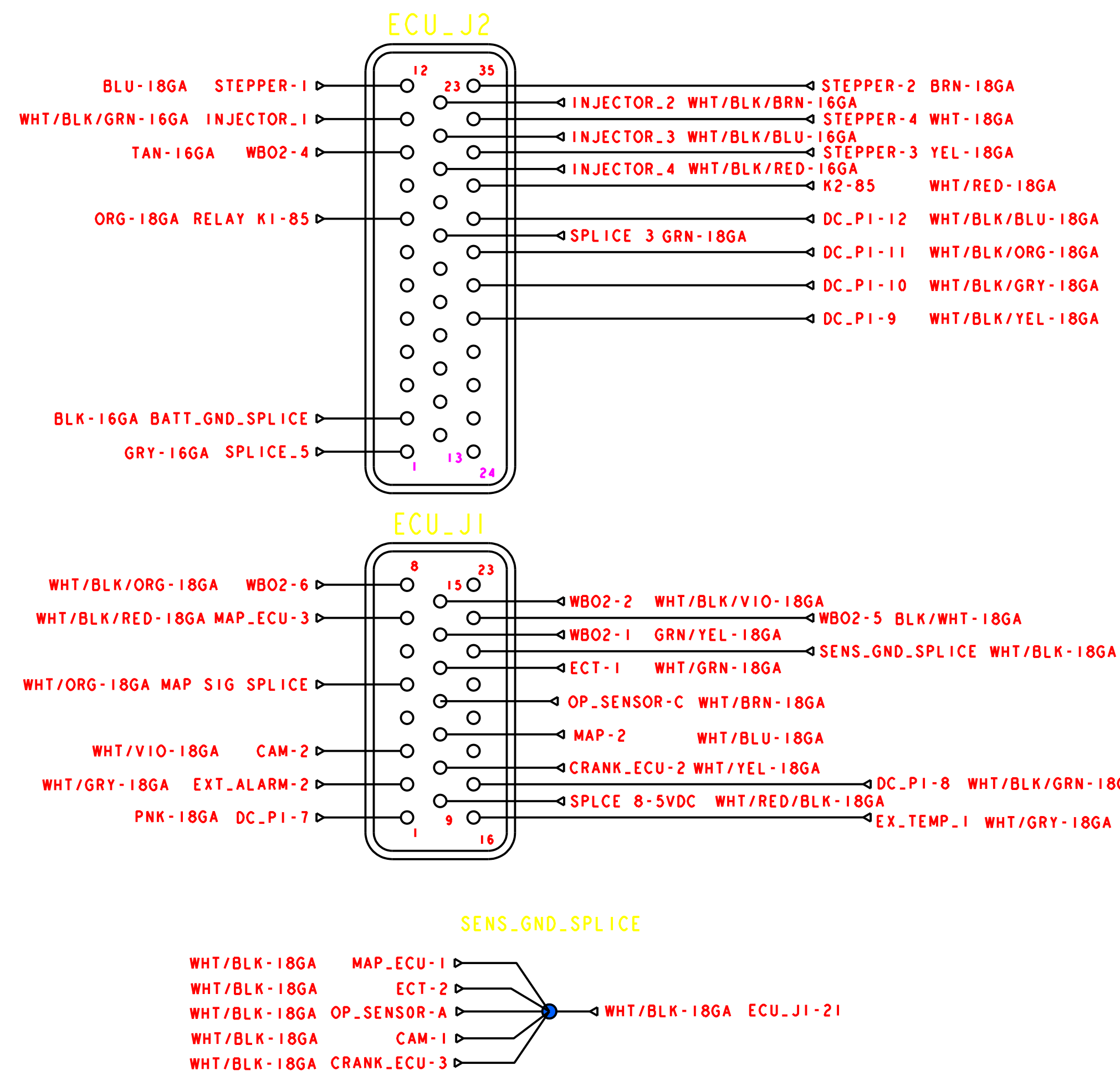
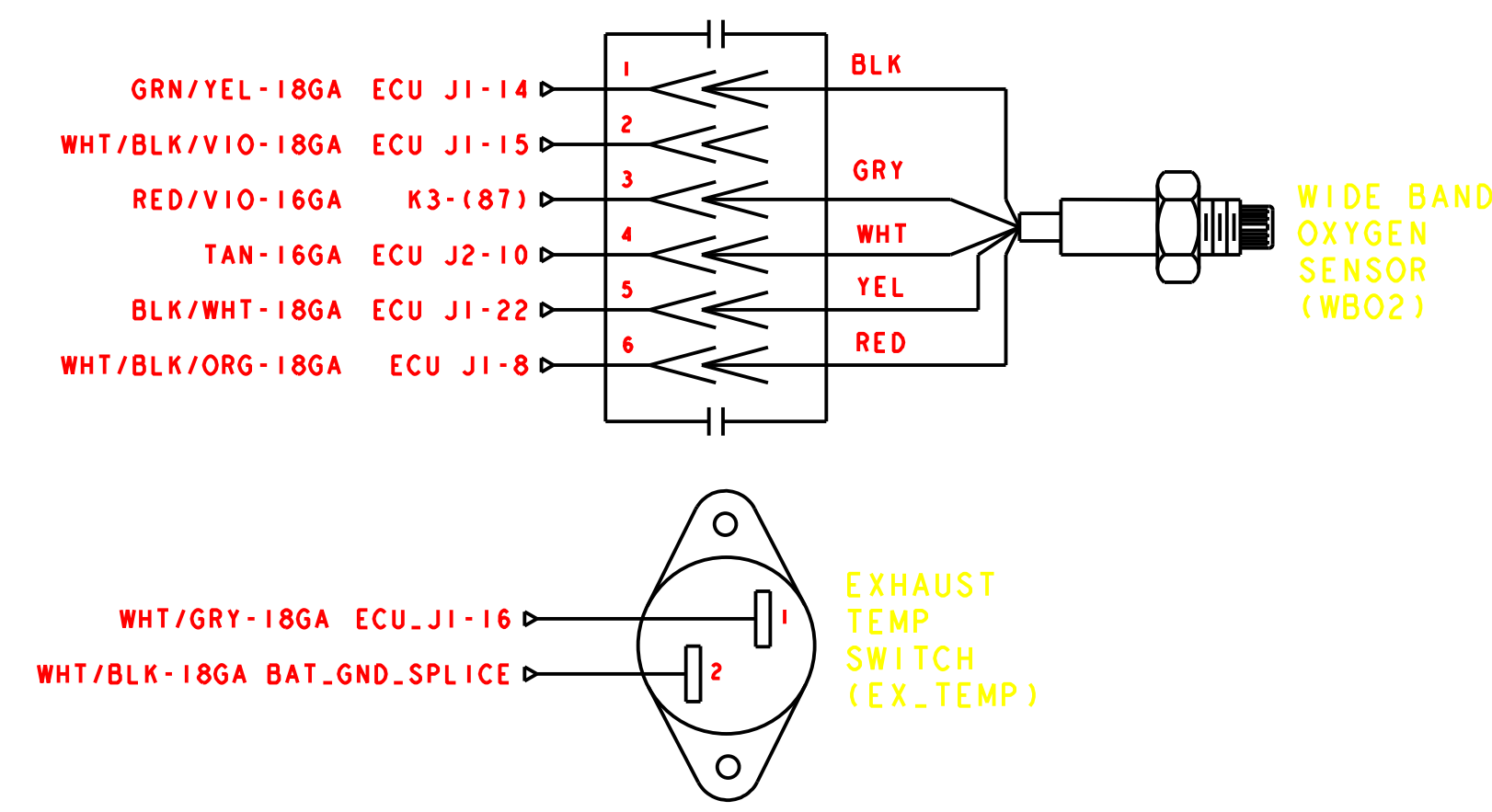


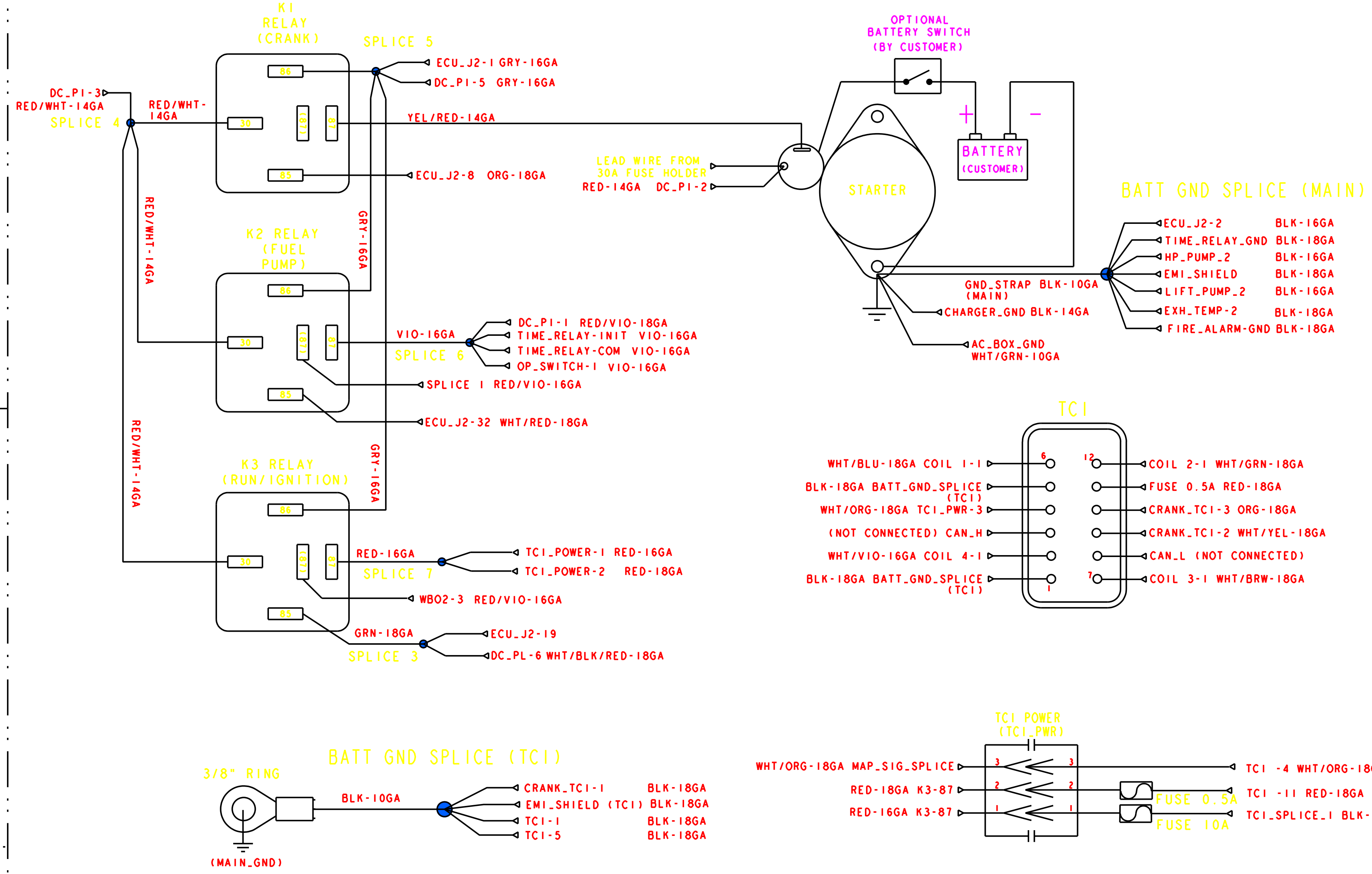
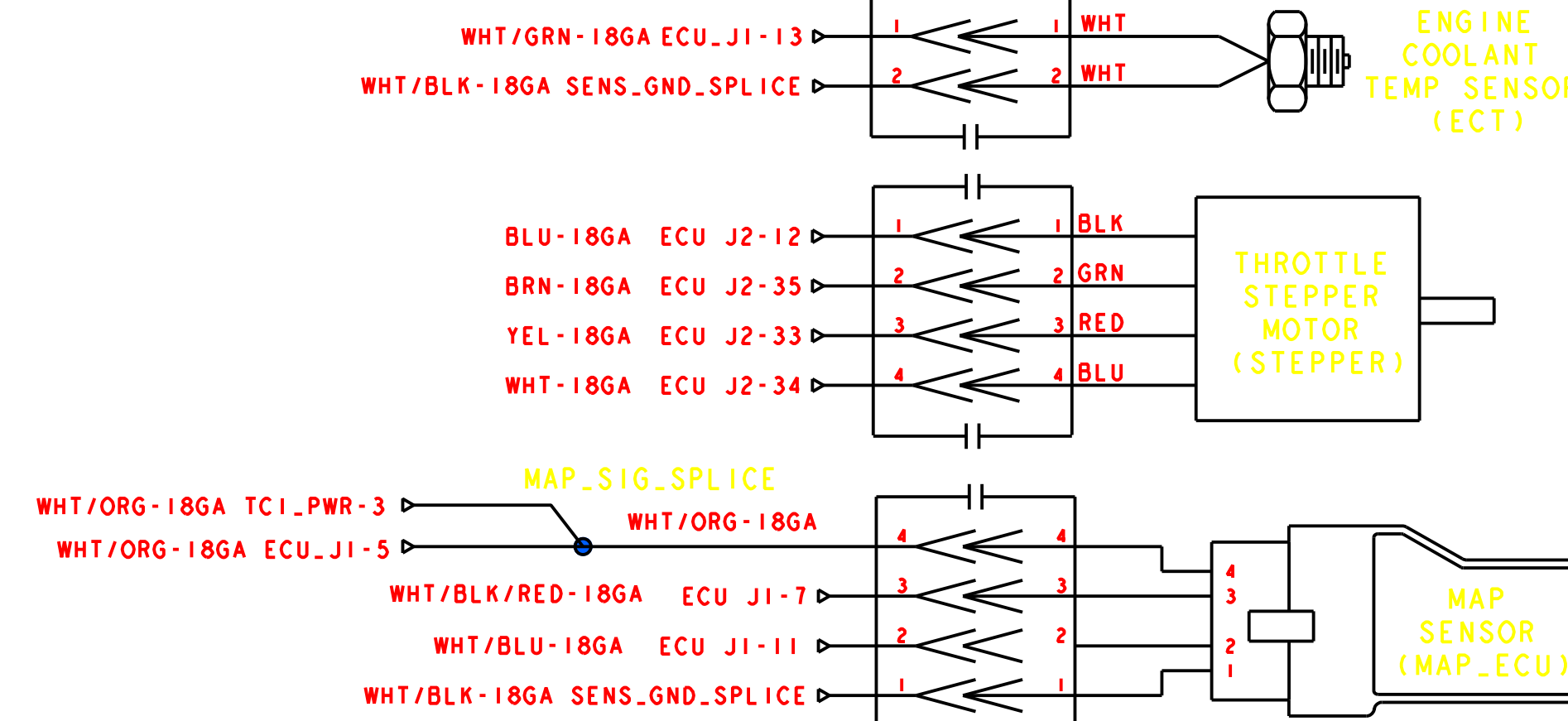
CONNECTIONS LOCATED ON ECU



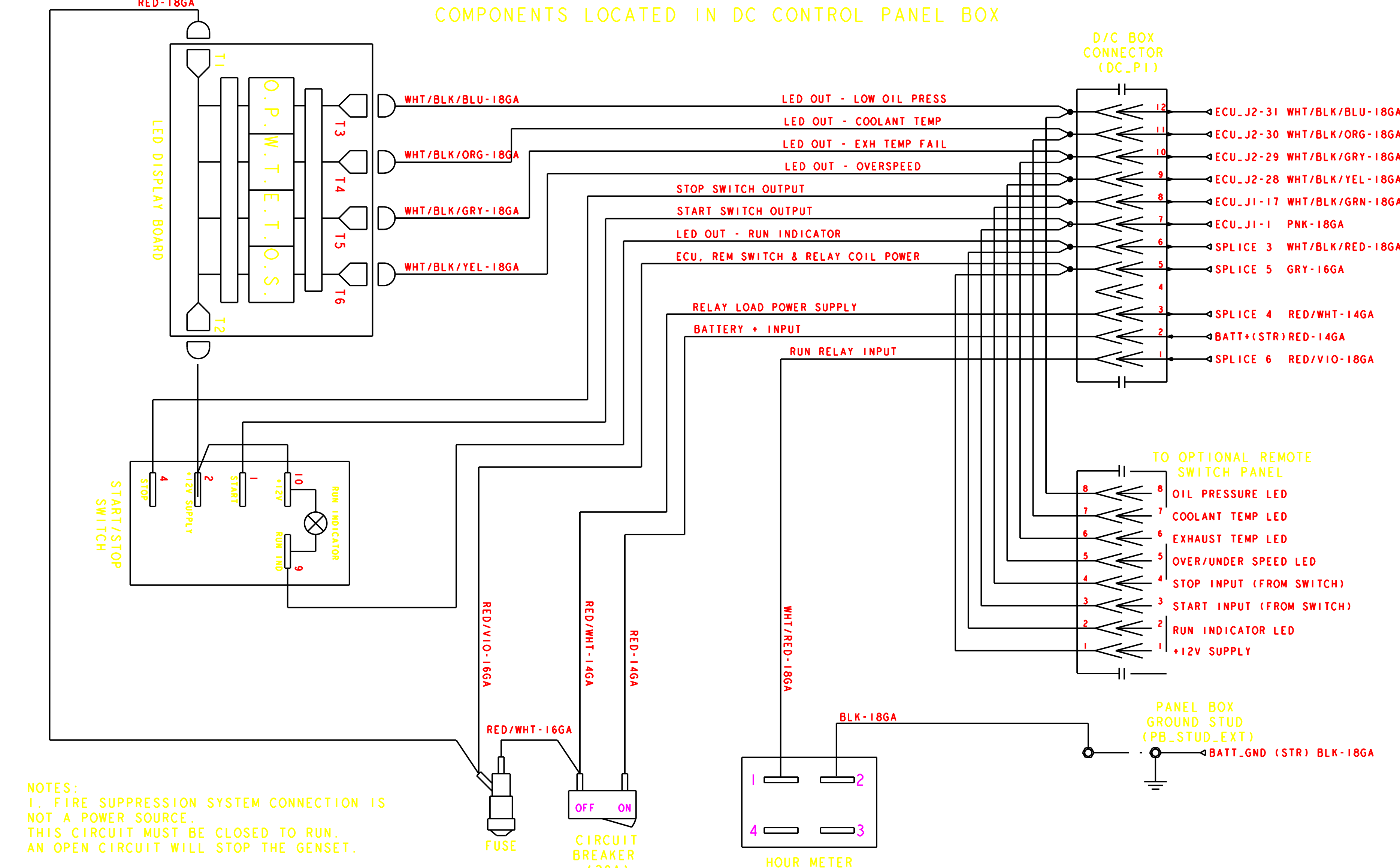
COMPONENTS LOCATED ON EXHAUST SYSTEM



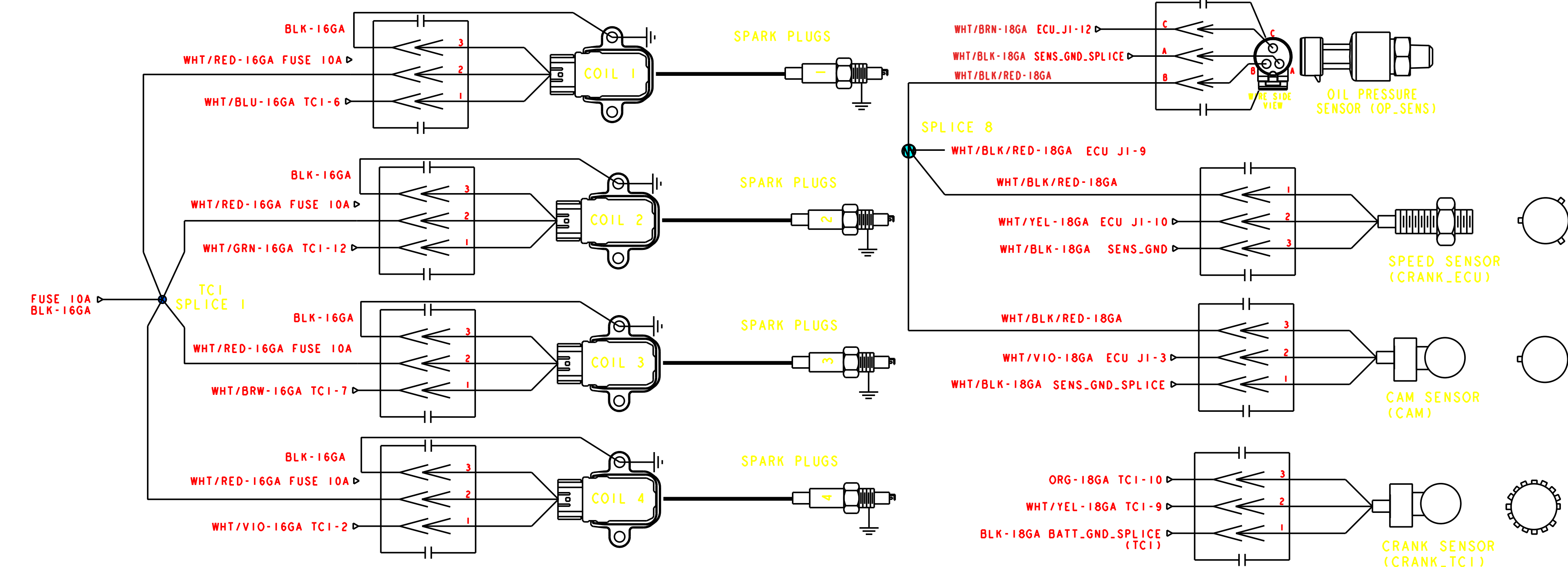
COMPONENTS LOCATED ON INTAKE MANIFOLD



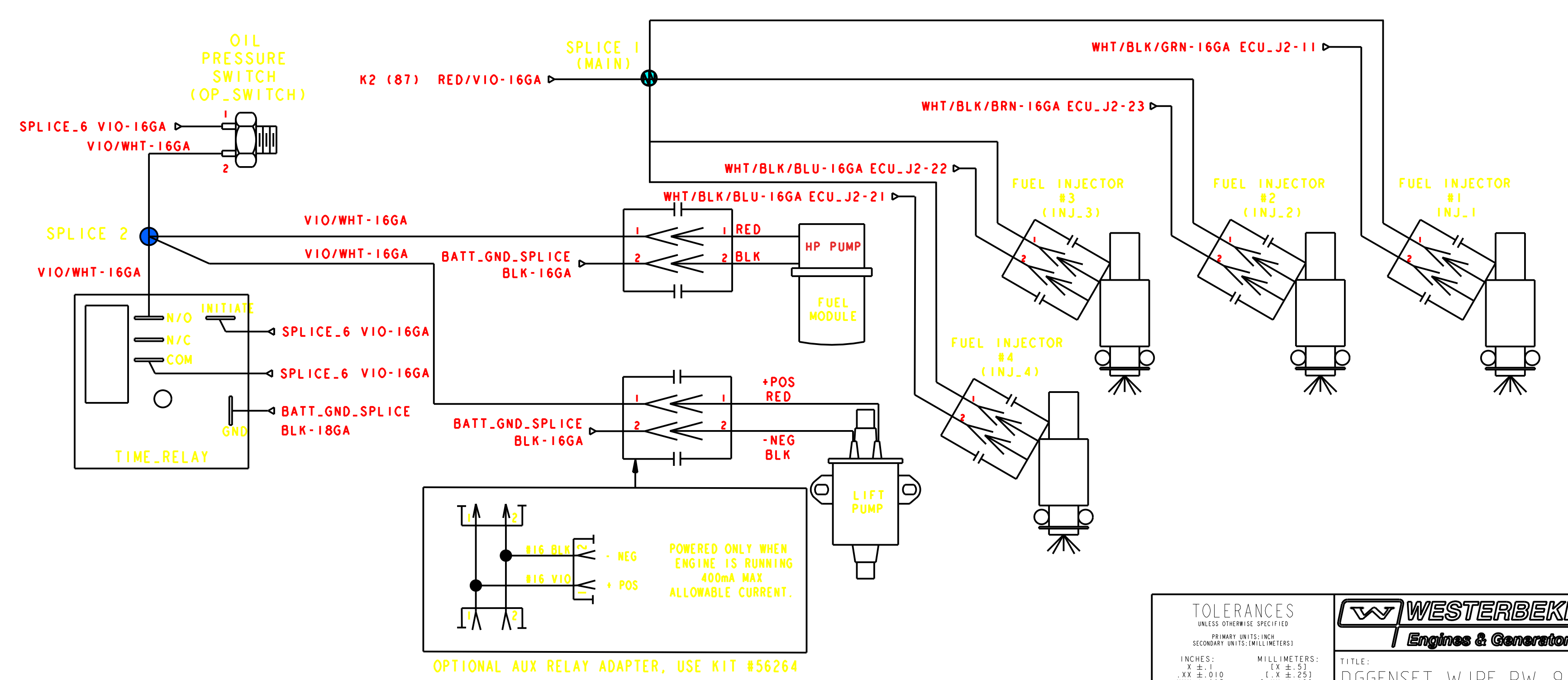
COMPONENTS LOCATED IN DC CONTROL PANEL BOX



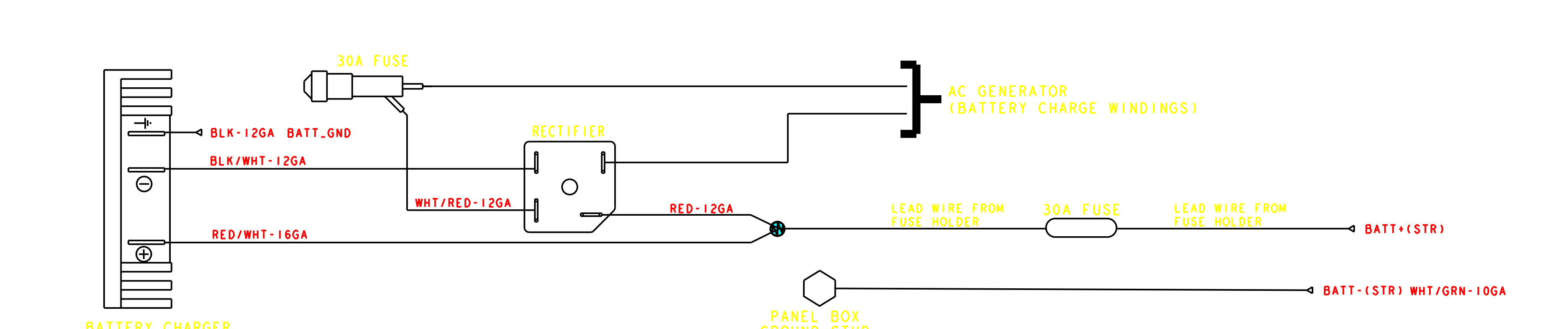
COMPONENTS LOCATED ON ENGINE BLOCK



FUEL SYSTEM COMPONENTS




COMPONENTS LOCATED IN AC PANEL BOX



TOLERANCES UNLESS OTHERWISE SPECIFIED		WESTERBEKE Engines & Generators	
INCHES: XX 0.0005 XXX 0.0008 XXXX 0.0012 SURFACE FINISH 0.0008 (11.43)	MILLIMETERS: XX 0.013 XXX 0.025 XXXX 0.038 SURFACE FINISH 0.025 (1.016)	DATE: 02/27/2024	REV: 1
DRAWN BY: EFP		SCALE: 1:1	
APPROVED BY: EFP		DRAWING NUMBER: 58259	
THIS DRAWING IS PROPRIETARY TO WESTERBEKE CORP. AND MAY NOT BE REPRODUCED OR TRANSMITTED IN ANY FORM OR BY ANY MEANS WITHOUT THE WRITTEN PERMISSION OF WESTERBEKE CORP.		THIRD PARTY PRODUCTION	

ECO NO.	DATE	REV.	REVISION RECORD	AUTH.	DR. BY
-	02/23/2024	-	INITIAL ENG. RELEASE		EF
7801	02/23/2024	A	PRODUCTION RELEASE		EF
7837	02/23/2024	B	10A FUSE CHANGED TO 15A FUSE		LGH

REVISION PAGE

TOLERANCES <small>UNLESS OTHERWISE SPECIFIED</small> <small>SECONDARY SURFACES (UNLESS NOTED)</small>		 WESTERBEKE <small>100 JOHN HANCOCK RD. TAUNTON, MA 02780 (508) 853-1611</small>	
<small>INCHES:</small> .0005 .0010 .0015 .0020 .0030 .0040 .0050 .0060 .0070 .0080 .0090 .0100 .0150 .0200 .0300 .0400 .0500 .0600 .0700 .0800 .0900 .1000 .1500 .2000 .3000 .4000 .5000 .6000 .7000 .8000 .9000 1.0000	<small>MILLI METERS:</small> .0127 .0254 .0381 .0508 .0762 .1016 .1270 .1524 .1778 .2032 .2286 .2540 .3048 .3556 .4064 .4572 .5080 .5588 .6096 .6604 .7112 .7620 .8128 .8636 .9144 .9652 1.0160	<small>TITLE:</small> DGGENSET WIRE Rw 9.5 MCGB	<small>DATE CREATED:</small> 02/23/2024
<small>APPROVED BY:</small> EF	<small>DATE:</small> 02/23/2024	<small>DRAWN BY:</small> EF	<small>DATE:</small> 02/23/2024
<small>SCALE:</small> 2:1	<small>DRAWING NO.:</small> 58259	<small>REV.:</small> A	<small>THIRD ANGLE PROJECTION</small>

THIS DRAWING IS PROPRIETARY TO WESTERBEKE CORP.
 AND MAY NOT BE REPRODUCED OR DISCLOSED IN ANY
 MANNER WITHOUT EXPRESS WRITTEN PERMISSION.